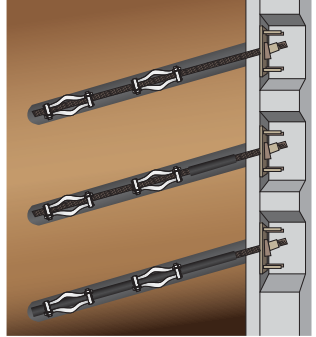


CENTRALIZER & SPACER SYSTEMS
FOR THE DRILLING & CIVIL CONSTRUCTION INDUSTRIES

**Ground Engineering
Applications**



sales@kwikzip.com | www.kwikzip.com

Address: 3 Barnard St, Bunbury,
Western Australia 6230

US Warehouse: Traverse City, MI

Phone: +61 8 9725 4678

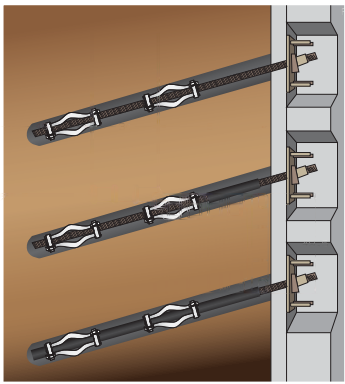
Fax: +61 8 9725 4700

CENTRALIZER & SPACER SYSTEMS

FOR THE DRILLING & CIVIL CONSTRUCTION INDUSTRIES

Ground Engineering Applications

- Adjustable diametres for bar, nail, pipe and sheathing from 18mm (0.7") upwards
- Multiple bow heights to suit numerous ID-OD combinations
- Integrated locking mechanism for simple and rapid on site assembly
- Curved bow profile for easy insertion into borehole
- Fully inert material with no metal parts
- Segmented design for compact packing and low transport costs



sales@kwikzip.com | www.kwikzip.com

Address: 3 Barnard St, Bunbury,
Western Australia 6230

US Warehouse: Traverse City, MI

Phone: +61 8 9725 4678

Fax: +61 8 9725 4700